

4

3

2

1

D

D

C

C

B

B

A

A

2X  $\phi$  2.50

3.12

HBS USA 1 150  
A516-70N B16 PVA

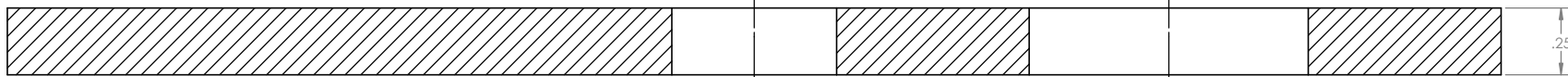
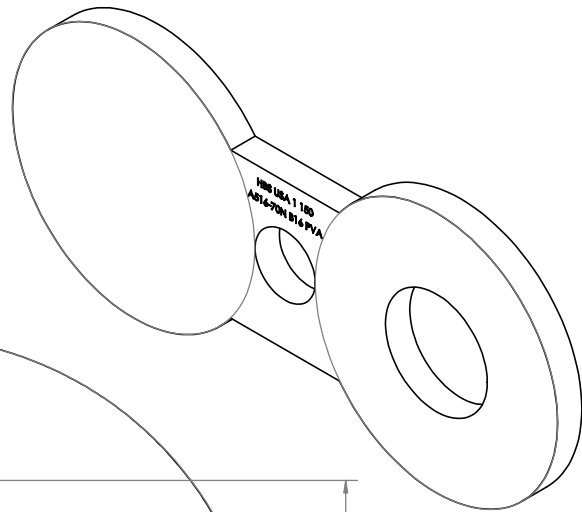
$\phi$  .62

$\phi$  1.05

1.50

.25

SECTION A-A



DO NOT SCALE PRINT



UNLESS OTHERWISE SPECIFIED:  
OUTSIDE DIAMETER: (+/-0.12)  
INSIDE DIAMETER: (+/-0.12)  
THICKNESS TOLERANCES (-ZERO +0.12)  
ALL UNITS IN INCHES OR POUNDS

**HYDROBLIND**  
**-ISOLUTIONS**

MATERIAL:  
CUSTOMER REQUESTED

SHEET 1 OF 1

SURFACE FINISH:  
MACHINE OR MILL

DATE:  
06/24/2020

DIMENSIONS & TOLERANCES  
TO BE IN ACCORDANCE WITH  
ASME B16.48

WEIGHT  
1 lb

DRAWING TITLE:  
1 CL 150 FIGURE 8 BLIND

SCALE  
3:1

SIZE  
C

DRAWING NUMBER:  
1SBH

REV  
00

4

3

2

1